

# SABdrain

water drainage systems

## 800 Grande 300mm x 300mm Load Class E400

FOR CONCRETE

### Specification Clause

The surface drainage system Sabdrain 800 300300 polypropylene plastic channel fitted with Cast Iron Grating, Load Class Rating - E400

### Properties

Sabdrain 800 300300 polypropylene plastic channels shall meet the following properties:-

COMPRESSIVE STRENGTH	<b>58N/mm<sup>2</sup></b>
TENSILE STRENGTH	<b>14N/mm<sup>2</sup></b>
DENSITY	<b>0.960 g/cm<sup>2</sup></b>
WATER ABSORPTION	<b>&lt;0.05%</b>
THERMAL EXPANSION COEFFICIENT	<b>15x12<sup>-5</sup> mm/°C</b>
FROST PROOF	<b>YES</b>
MELTING POINT	<b>162 – 168 °C</b>
CO EFFICIENT OF ROUGHNESS	<b>N=0.010</b>
CHEMICAL RESISTENCE	<b>YES</b>
NON FLAMMABLE	<b>YES</b>

for detailed chemical resistance, refer to <https://sabdrain.com.au/chemical-resistance/>

### Dimensions

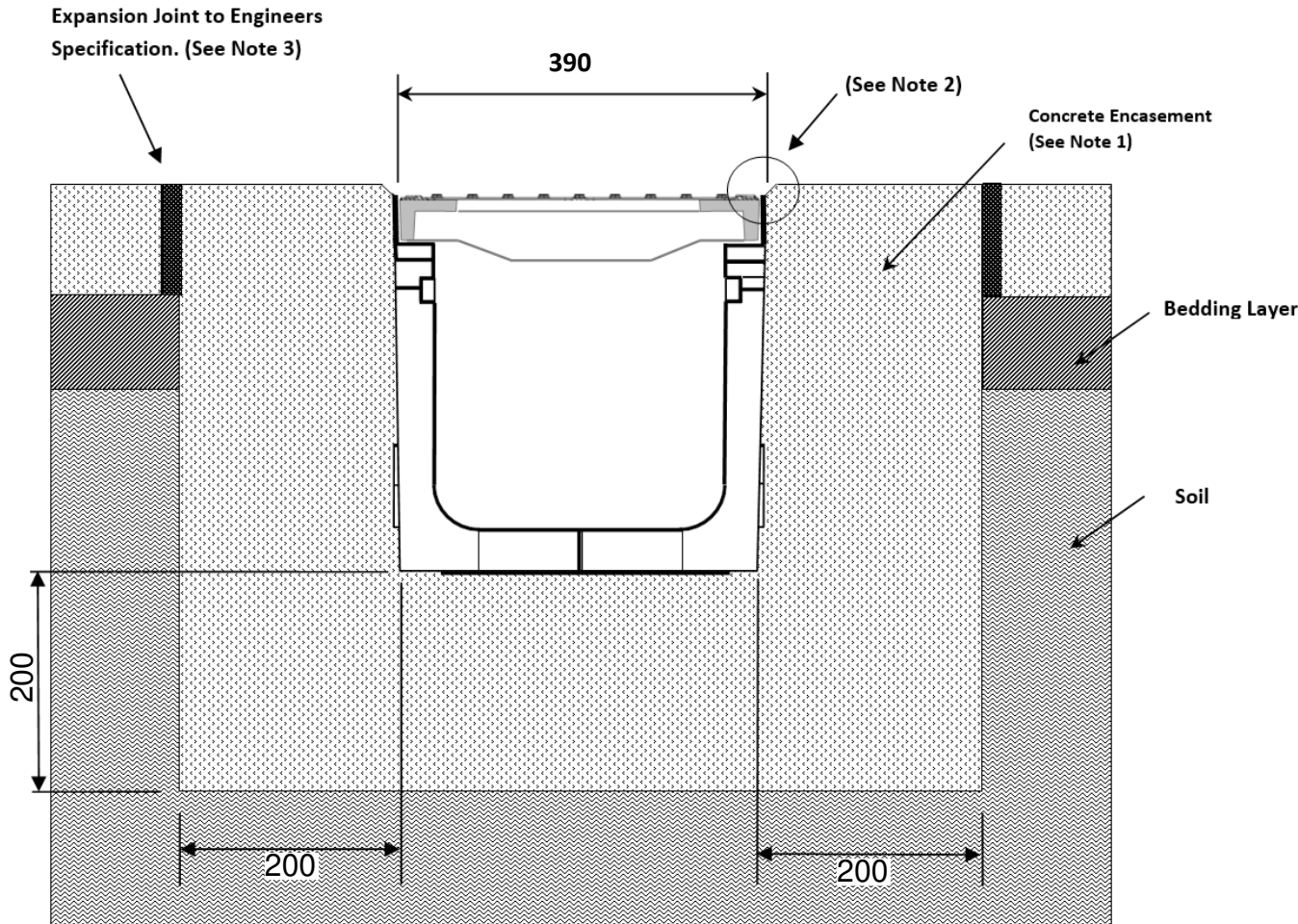
Sabdrain 800 300300 channels dimensions shall be an internal height of 300mm with an internal width of 300mm and an overall height of 370mm and width of 390mm, with Male/Female interlocking joints, the channels shall have provision to create a 2° (17M) Radius.

### Grates

Refer to the relevant specification sheet for the selected grate.

### Installation

The Sabdrain 800 300300 Drainage system shall be installed for its intended purpose. Any improper installation and usage could result in product failure.



### Notes

1. Concrete encasement dimensions and/or reinforcement changes may be required for specific site conditions. Minimum concrete strength of 25MPa is recommended. Ensure concrete is vibrated Always seek engineering advice.
2. The finished level of the concrete encasement should be 3-5mm above the channel edge.
3. Expansion control joints are recommended for protection of the concrete encasement.

