

SABdrain

water drainage systems

800 Grande 300mm x 200mm Load Class E400

FOR ASPHALT

Specification Clause

The surface drainage system Sabdrain 800 300200 polypropylene plastic channel fitted with Cast Iron Grating, Load Class Rating - E400

Properties

Sabdrain 800 300200 polypropylene plastic channels shall meet the following properties:-

COMPRESSIVE STRENGTH	58N/mm ²
TENSILE STRENGTH	14N/mm ²
DENSITY	0.960 g/cm ³
WATER ABSORPTION	<0.05%
THERMAL EXPANSION COEFFICIENT	15x10 ⁻⁵ mm/°C
FROST PROOF	YES
MELTING POINT	162 – 168 °C
COEFFICIENT OF ROUGHNESS	N=0.010
CHEMICAL RESISTANCE	YES
NON FLAMMABLE	YES

for detailed chemical resistance, refer to <https://sabdrain.com.au/chemical-resistance/>

Dimensions

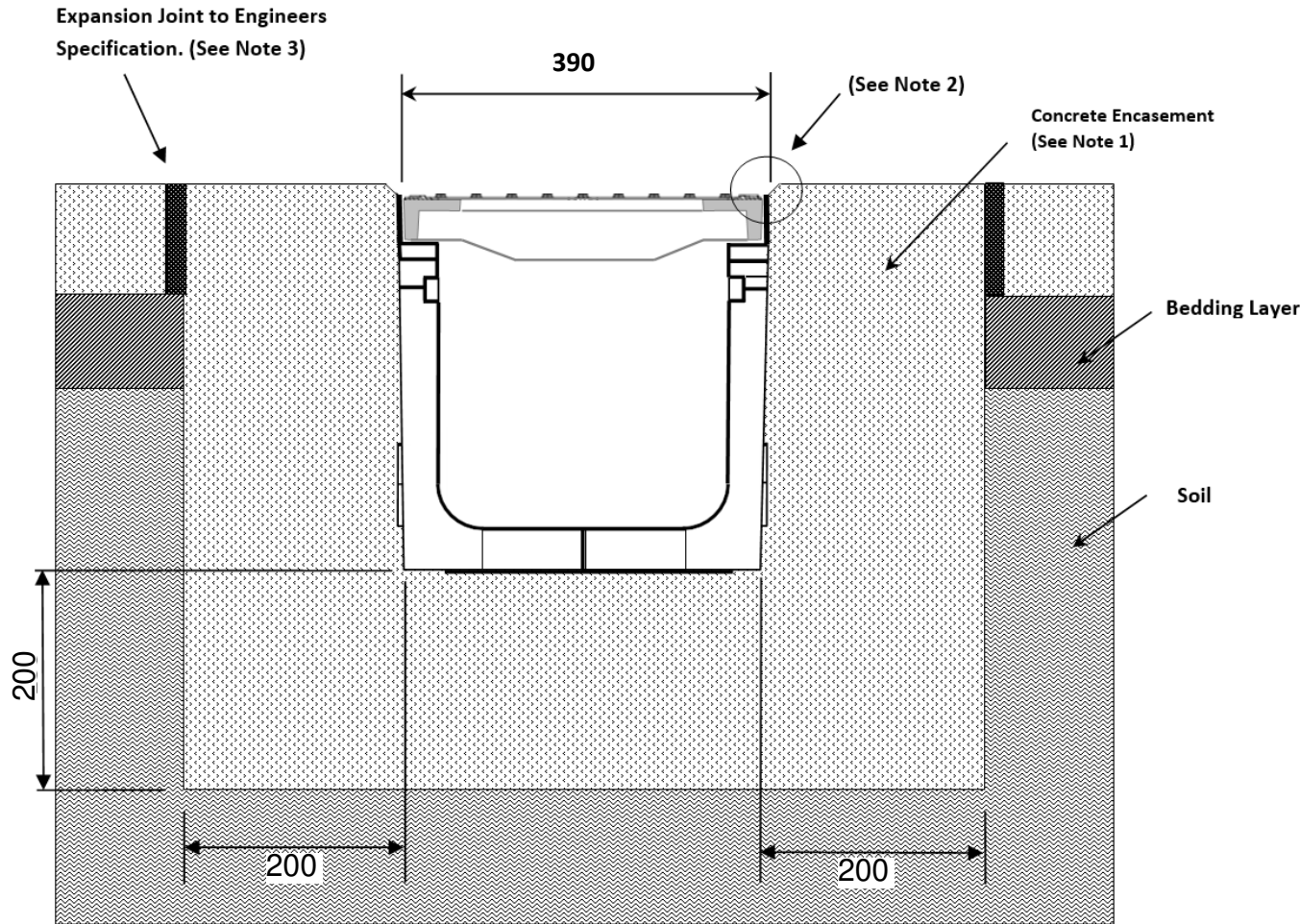
Sabdrain 800 300200 channels dimensions shall be an internal height of 200mm with an internal width of 300mm and an overall height of 270mm and width of 390mm, with Male/Female interlocking joints, the channels shall have provision to create a 2° (17M) Radius.

Grates

Refer to the relevant specification sheet for the selected grate.

Installation

The Sabdrain 800 300200 Drainage system shall be installed for its intended purpose. Any improper installation and usage could result in product failure.



Notes

1. Concrete encasement dimensions and/or reinforcement changes may be required for specific site conditions. Minimum concrete strength of 25MPa is recommended. Ensure concrete is vibrated Always seek engineering advice.
2. The finished level of the concrete encasement should be 3-5mm above the channel edge.
3. Expansion control joints are recommended for protection of the concrete encasement.

