

## 706 Grande 300mm x 200mm Load Class G900

FOR CONCRETE

### Specification Clause

The surface drainage system Sabdrain 706 300200 polypropylene plastic channel fitted with Cast Iron Grating, Load Class Rating – G900

\* Load Classification AS3996:2006 G900 is similar to EN1433:2008 F900

### Properties

Sabdrain 706 300200 polypropylene plastic channels shall meet the following properties:-

COMPRESSIVE STRENGTH	58N/mm <sup>2</sup>
TENSILE STRENGTH	14N/mm <sup>2</sup>
DENSITY	0.960 g/cm <sup>3</sup>
WATER ABSORPTION	<0.05%
THERMAL EXPANSION COEFFICIENT	15x10 <sup>-5</sup> mm/°C
FROST PROOF	YES
MELTING POINT	162 – 168 °C
COEFFICIENT OF ROUGHNESS	N=0.010
CHEMICAL RESISTANCE	YES
NON FLAMMABLE	YES

for detailed chemical resistance, refer to <https://sabdrain.com.au/chemical-resistance/>

### Dimensions

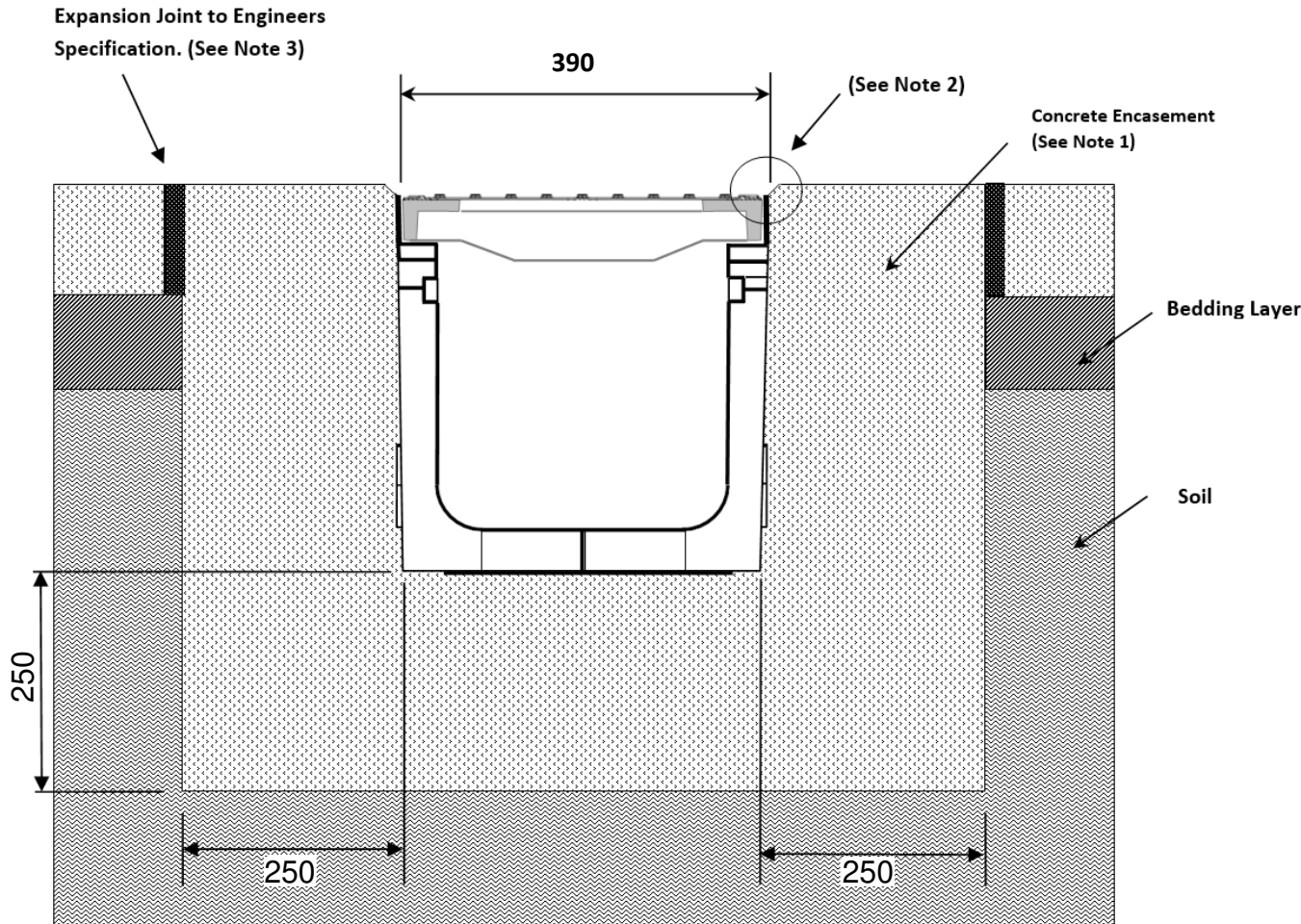
Sabdrain 706 300200 channels dimensions shall be an internal height of 200mm with an internal width of 200mm and an overall height of 250mm and width of 250mm, with Male/Female interlocking joints, the channels shall have provision to create a 2° (17M) Radius.

### Grates

Refer to the relevant specification sheet for the selected grate.

### Installation

The Sabdrain 706 300200 Drainage system shall be installed for its intended purpose. Any improper installation and usage could result in product failure.



### Notes

1. Concrete encasement dimensions and/or reinforcement changes may be required for specific site conditions. Minimum concrete strength of 25MPa is recommended. Ensure concrete is vibrated Alwaysseek engineering advice.
2. The finished level of the concrete encasement should be 3-5mm above the channel edge.
3. Expansion control joints are recommended for protection of the concrete encasement.

