

# SABdrain

water drainage systems

## 706 150mm x 150mm - Load Class G 900 FOR CONCRETE

### Specification Clause

The surface drainage system shall be Sabdrain 706 150150 polypropylene plastic channel fitted with Cast Iron grating Load Class - G900.\*

\*Load Classification AS3996:2006 G900 is similar to EN1433:2008 F900

### Properties

Sabdrain 706 150150 polypropylene plastic channels shall meet the following properties:-

COMPRESSIVE STRENGTH	<b>58N/mm<sup>2</sup></b>
TENSILE STRENGTH	<b>14N/mm<sup>2</sup></b>
DENSITY	<b>0.960 g/cm<sup>3</sup></b>
WATER ABSORPTION	<b>&lt;0.05%</b>
THERMAL EXPANSION COEFFICIENT	<b>15x10<sup>-5</sup> mm/°C</b>
FROST PROOF	<b>YES</b>
MELTING POINT	<b>162 – 168 °C</b>
CO EFFICIENT OF ROUGHNESS	<b>N=0.010</b>
CHEMICAL RESISTENCE	<b>YES</b>
NON FLAMMABLE	<b>YES</b>

for detailed chemical resistance, refer to <https://sabdrain.com.au/chemical-resistance/>

### Dimensions

Sabdrain 706 150150 channels dimensions shall be an internal height of 150mm with an internal width of 150mm and an overall height of 200mm and width of 200mm, with Male/Female interlocking joints, the channels shall have provision to create a 2° (17M) Radius.

### Grates

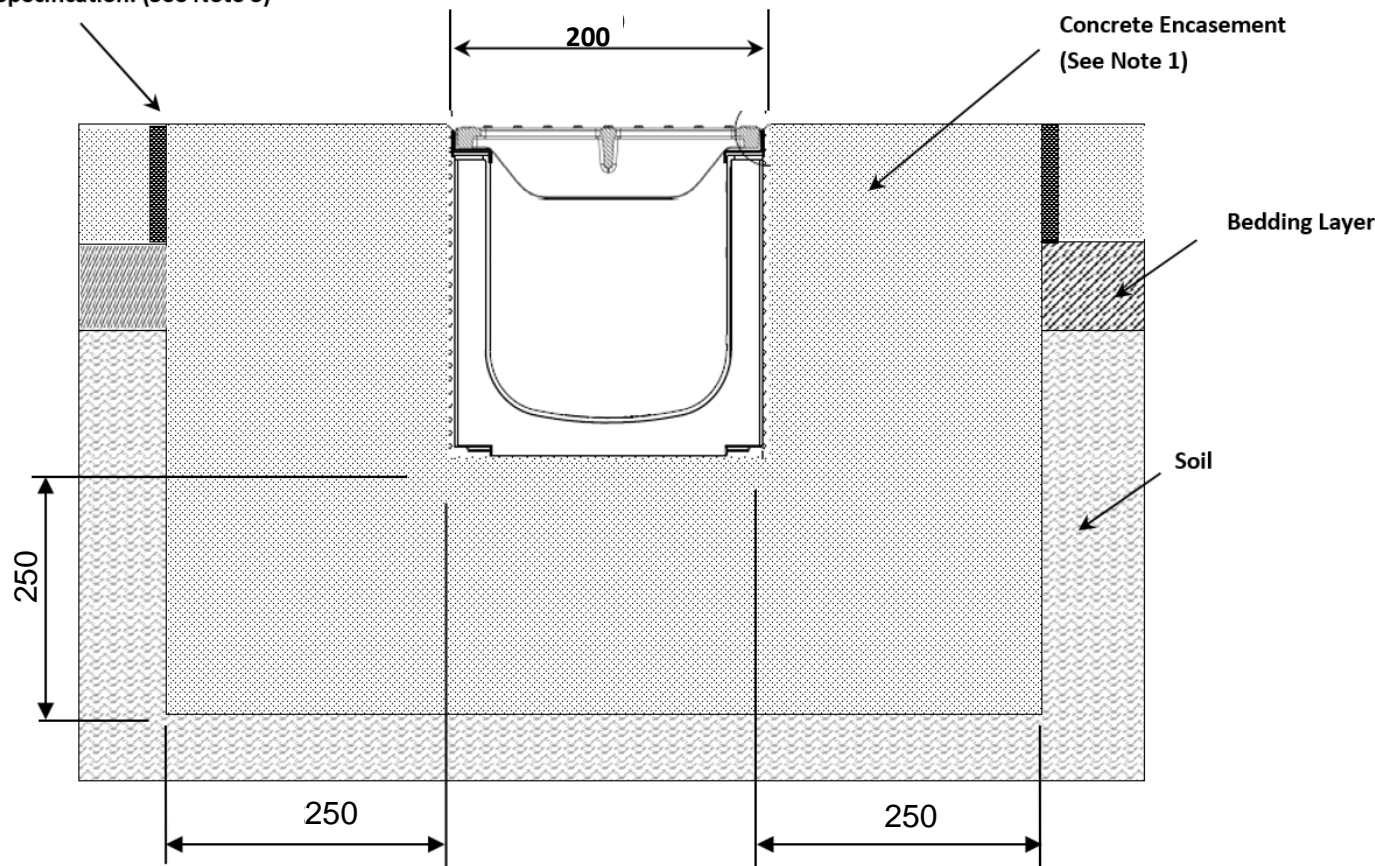
Refer to the relevant specification sheet for the selected grate.

### Installation

The Sabdrain 704 150150 Drainage system shall be installed for its intended purpose. Any improper installation and usage could result in product failure.

Expansion Joint to Engineers  
Specification. (See Note 3)

(See Note 2)



### Notes

1. Concrete encasement dimensions and/or reinforcement changes may be required for specific site conditions. Minimum concrete strength of 25MPa is recommended. Ensure concrete is vibrated Alwaysseek engineering advice.
2. The finished level of the concrete encasement should be 3-5mm above the channel edge.
3. Expansion control joints are recommended for protection of the concrete encasement.

