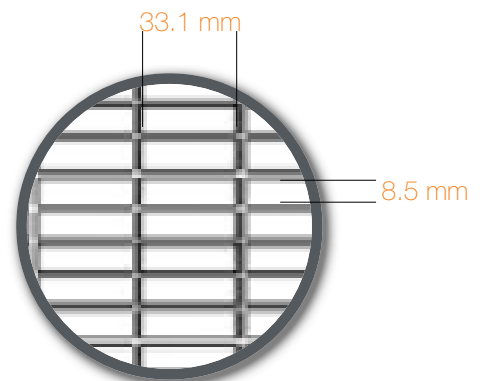
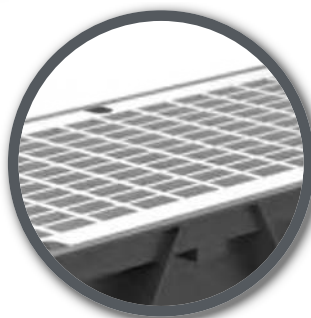
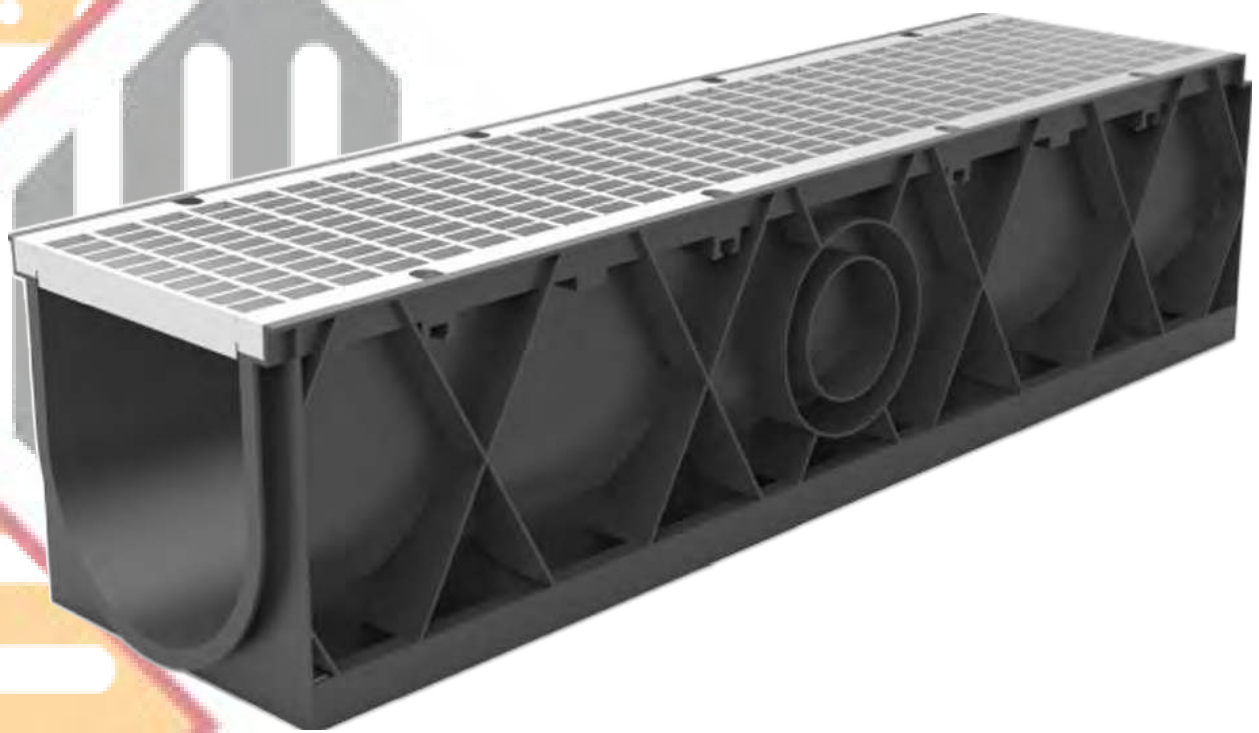


ALTERNATO SERIES 611 GALVANISED GRATED CHANNEL



The details that make the difference...

Class B Galvanised Grate & Polypropylene Channel

Polypropylene channel with Class B rated galvanised grates. Each galvanised gate comes with a 2 point security fixing, to keep it rattle free from vehicular movements and secure it from unauthorised access. Heel guard type grate, preventing heeled shoes & other objects from becoming caught in the grate. Ideal for driveway drainage, use around gardens, footpaths, schools, pathways, petrol stations, walkways, decks & outdoor areas, universities, aged care facilities, around equestrian stables, barns and much more.



Class B



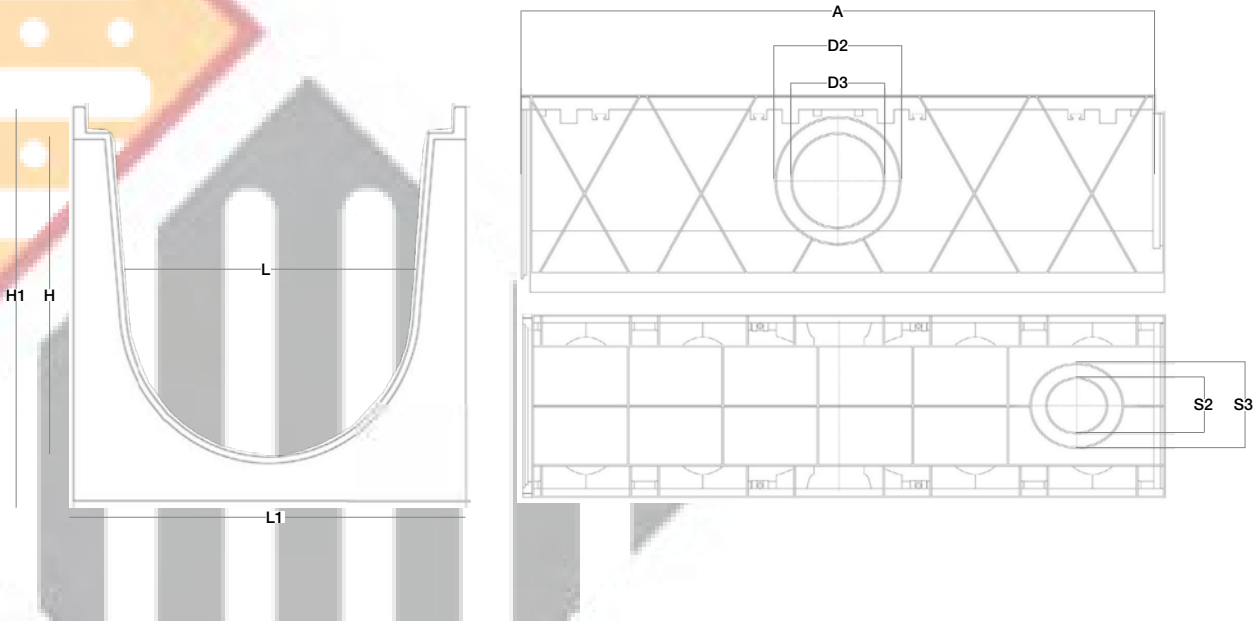
Heel Guard



Lockdown

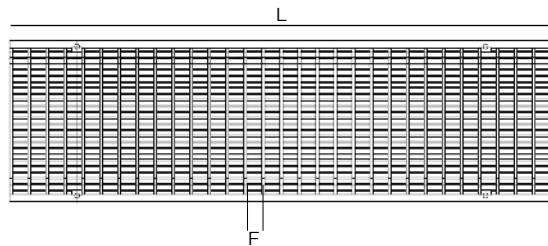
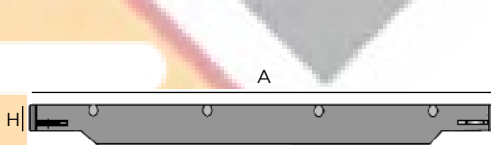


Disability Compliant



SABDRAIN 611

CODE	L	H	L1	H1	D2	D3	S1	S2	A	KG
DR611250250	250	250	318	304	198	148	148	98	1000	3.95



SABDRAIN 611 - GRATE

CODE	MATERIAL	DRAIN CM ²	A	H	L	F	LOAD CLASS	KG
DR611GRATE250	galvanised	1612	295	20	1000	33.1mm x 8.5mm	A10	8.6