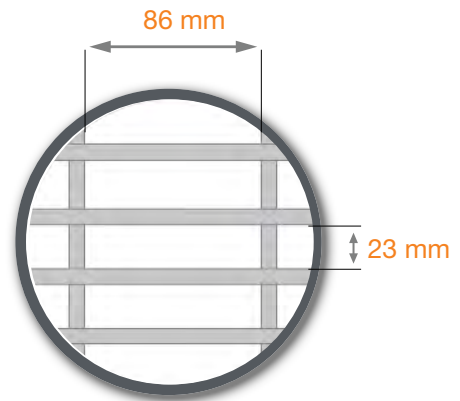
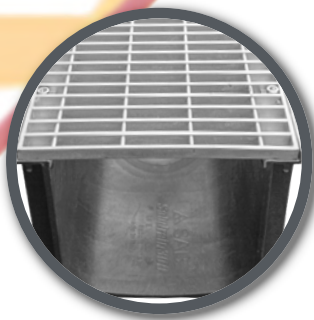
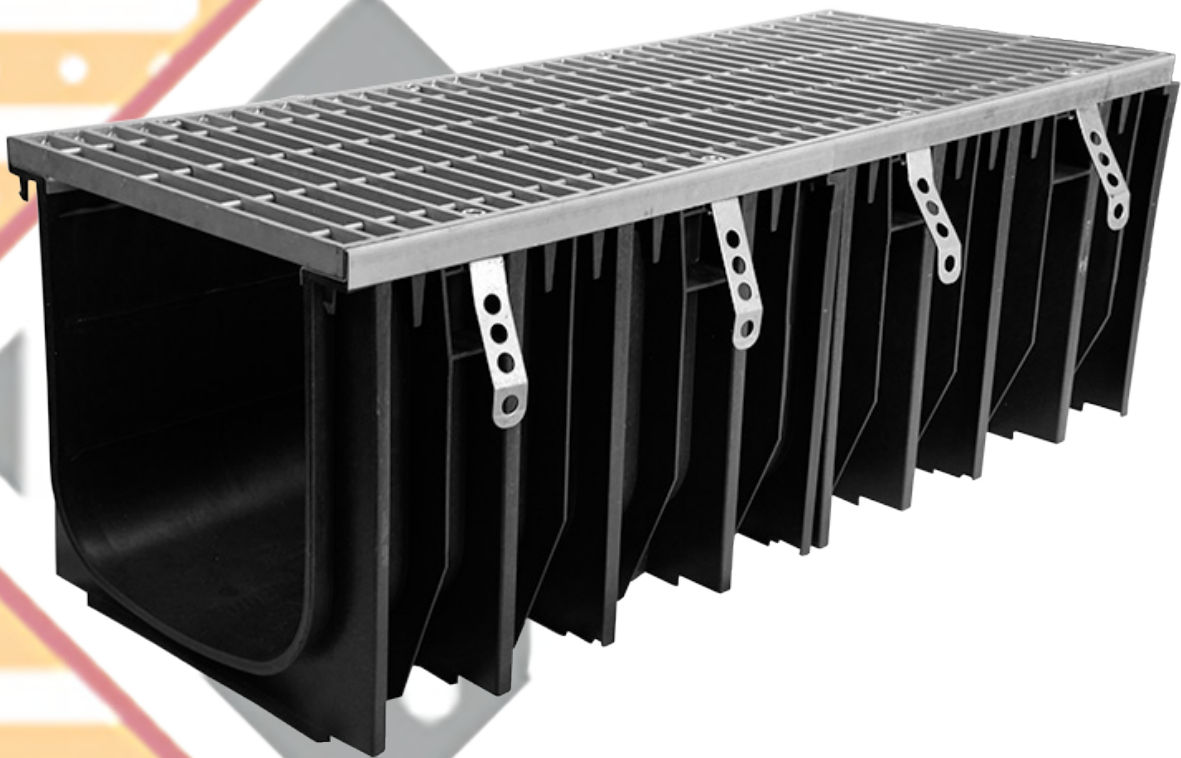


603 GRANDE GALVANISED GRATED CHANNEL



The details that make the difference...

Class C Galvanised Grate & Polypropylene Channel

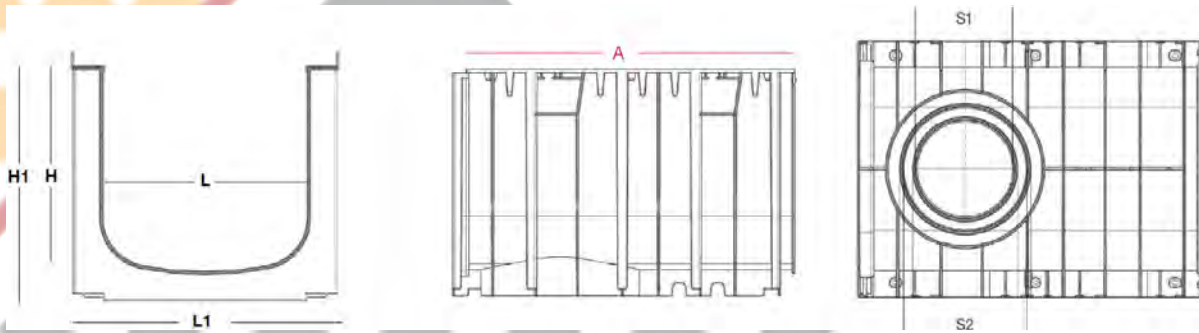
Polypropylene channel with Class C rated galvanised grates. Each galvanised grate comes with a 8 point security fixing, to keep it rattle free from vehicular movements & secure it from unauthorised access, as well as steel side edges to give greater resistance to heavy loads. Designed & recommended for malls & areas open to slow moving heavy commercial vehicles.



C150



Lockdown



SABDRAIN 603											
CODE	L	H	L1	H1	S5	S4	S3	S2	S1	A	KG
DR603300200	300	200	390	260	-	-	-	200	160	500 (sold in 1M lengths)	34.15
DR603300300	300	300	390	360	-	-	-	63	100	500 (sold in 1M lengths)	35.6



SABDRAIN 603 - GRATE										
CODE	MATERIAL	DRAIN CM ²	A	H	H1	L	F	LOAD CLASS	KG	
DR603GRATE300	galvanised steel	2282	376	20	32	1000	88 X 23	C150	24.2	