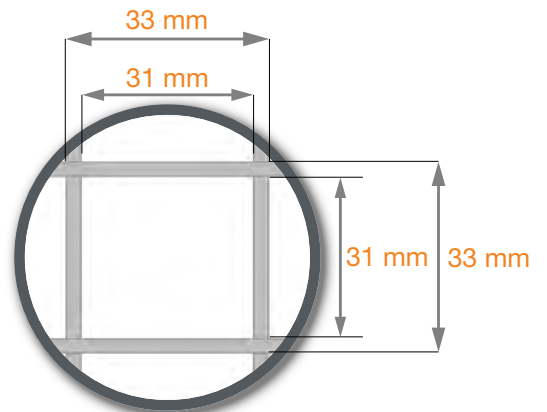
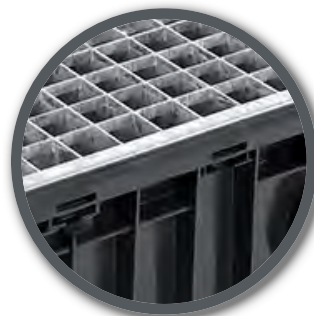
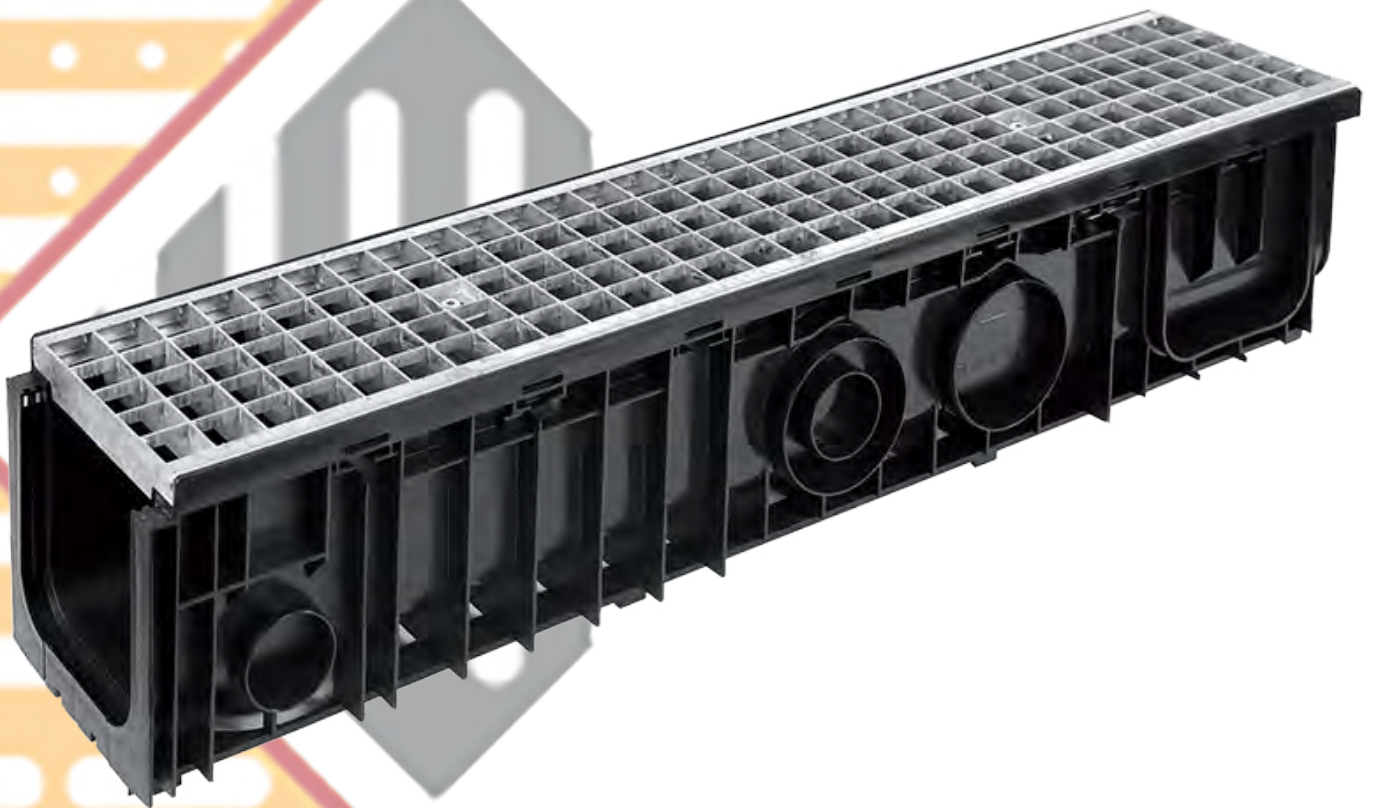


## 602 GALVANISED GRATED CHANNEL



**The details that make the difference...**

# Class B Galvanised Grate & Polypropylene Channel

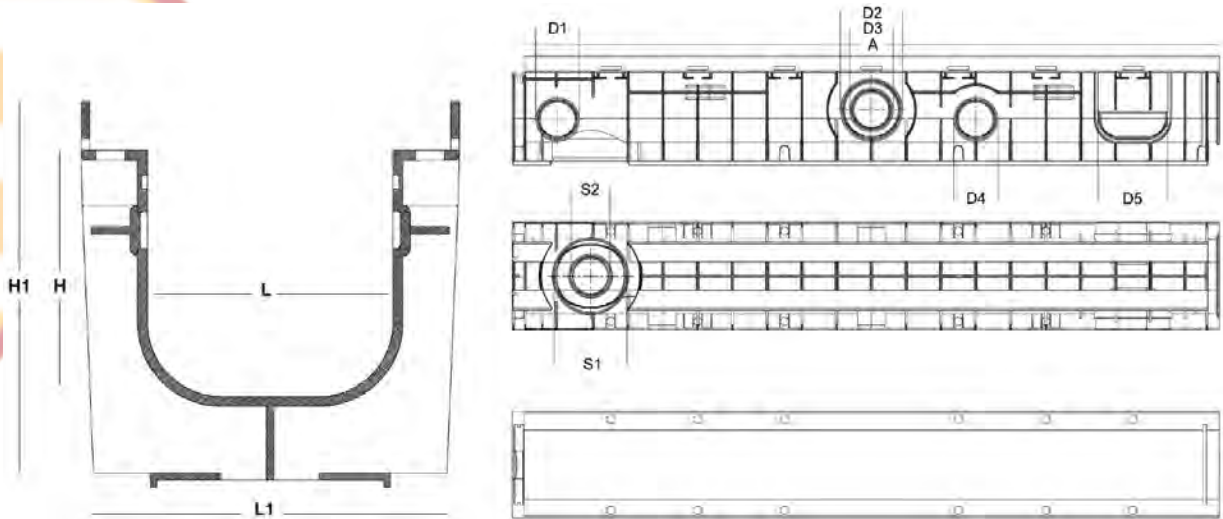
Polypropylene channel with Class B rated galvanised grates. Each galvanised gate comes with a 2 point security fixing, to keep it rattle free from vehicular movements and secure it from unauthorised access. Ideal for driveway drainage, petrol stations and more.



B80

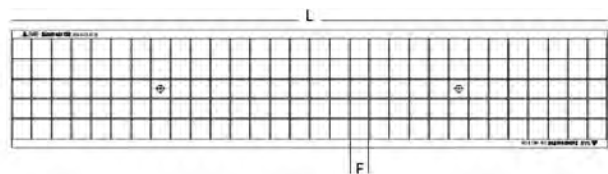


Lockdown



## SABDRAIN 602

CODE	L	H	L1	H1	D1	D2	D3	D4	D5	S1	S2	A	KG
DR60210050	100	50	150	100	40	-	-	40	100	110	63	1000	5.1
DR602100100	100	100	150	150	63	90	63	63	100	110	63	1000	5.8
DR602100150	100	150	150	200	63	110	63	110	100	110	63	1000	6.3
DR602150100	150	100	200	150	63	90	63	63	150	110	63	1000	6.9
DR602150150	150	150	200	200	63	110	63	110	150	110	63	1000	7.6



## SABDRAIN 602 - GRATE

CODE	MATERIAL	DRAIN CM <sup>2</sup>	A	H	H1	L	F	LOAD CLASS	KG
DR601GRATE100	galvanised steel	1019	145	20	25	1000	31 x 31	B25	3.2
DR601GRATE150	galvanised steel	1487	195	20	30	1000	31 x 31	B25	4.0