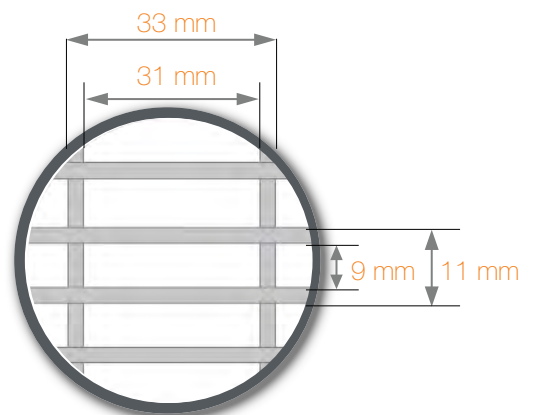
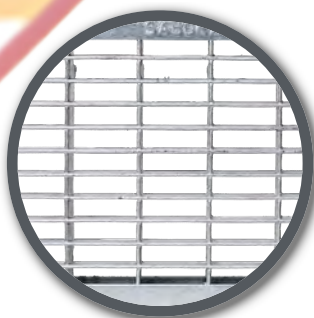
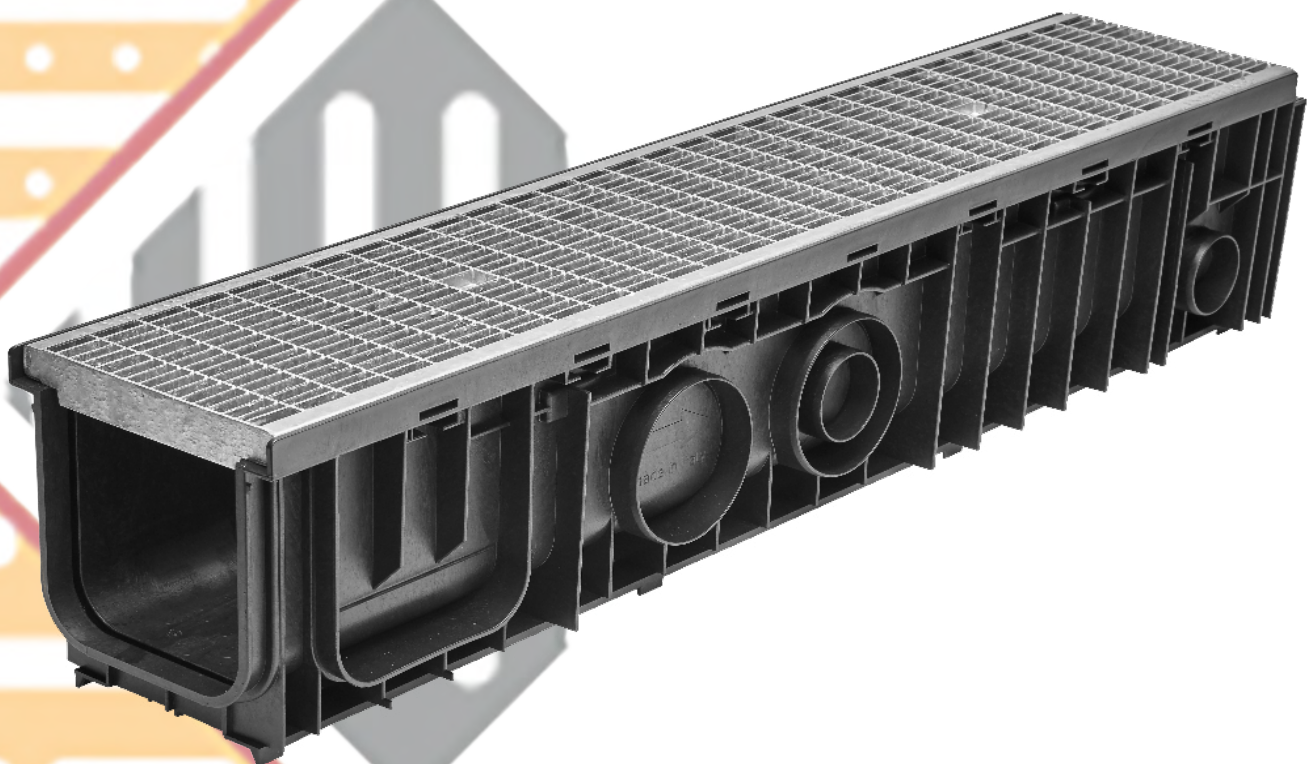


601 GALVANISED GRATED CHANNEL



The details that make the difference...

Class B Galvanised Grate & Polypropylene Channel

Polypropylene channel with Class B rated galvanised grates. Each galvanised gate comes with a 2 point security fixing, to keep it rattle free from vehicular movements and secure it from unauthorised access. Heel guard type grate, preventing heeled shoes & other objects from becoming caught in the grate. Ideal for driveway drainage, use around gardens, footpaths, schools, pathways, petrol stations, walkways, decks & outdoor areas, universities, aged care facilities, around equestrian stables, barns and much more.



B80



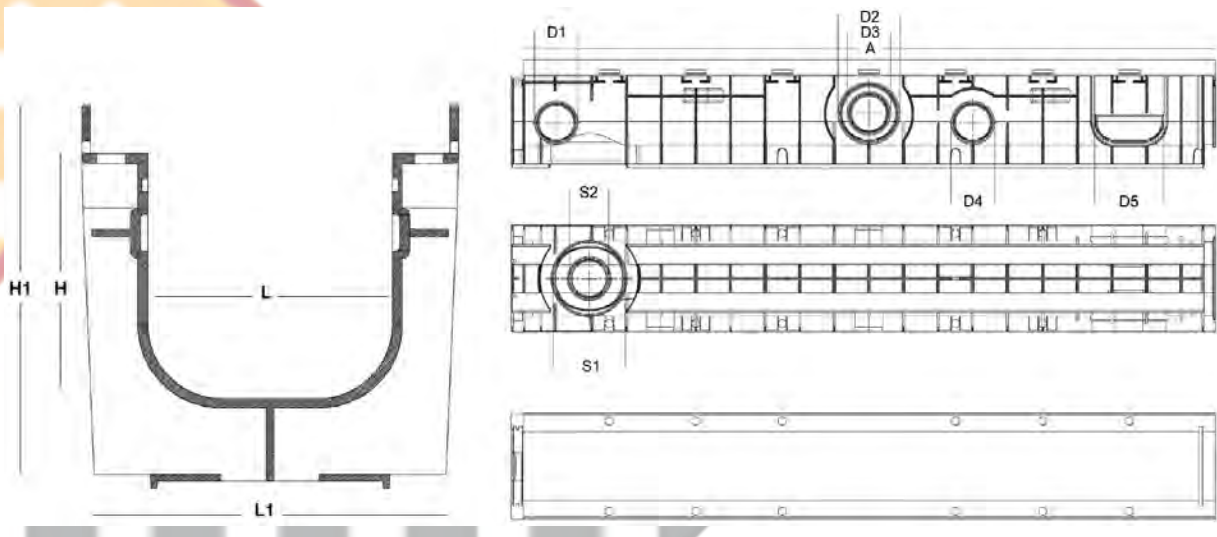
Heel Guard



Lockdown

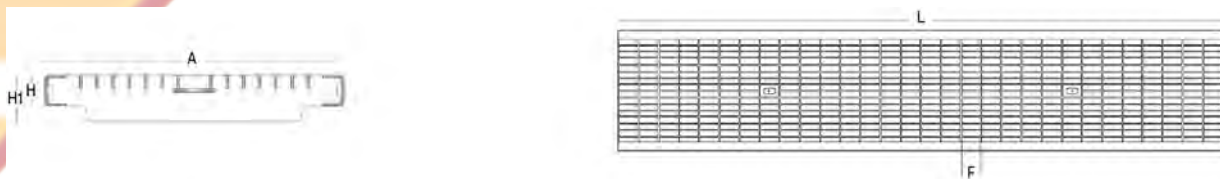


Disability Compliant



SABDRAIN 601

CODE	L	H	L1	H1	D1	D2	D3	D4	D5	S1	S2	A	KG
DR60110050	100	50	150	100	40	-	-	40	100	110	63	1000	5.6
DR601100100	100	100	150	150	63	90	63	63	100	110	63	1000	6.4
DR601100150	100	150	150	200	63	110	63	110	100	110	63	1000	6.9
DR601150100	150	100	200	150	63	90	63	63	150	110	63	1000	8.3
DR601150150	150	150	200	200	63	110	63	110	150	110	63	1000	9.0
DR601200100	200	100	250	150	63	90	63	63	200	160	110	1000	12.1
DR601200150	200	150	250	200	63	110	63	90	200	160	110	1000	12.6
DR601200200	200	200	250	250	63	160	110	90	200	160	110	1000	13.1
DR601200250	200	250	250	300	63	160	110	90	200	160	110	1000	13.6
DR601200300	200	300	250	350	63	160	110	90	200	160	110	1000	14.1



SABDRAIN 601 - GRATE

CODE	MATERIAL	DRAIN CM ²	A	H	H1	L	F	LOAD CLASS	KG
DR601GRATE100	galvanised steel	800	145	20	25	1000	31 x 8	B125	3.8
DR601GRATE150	galvanised steel	1241	195	20	30	1000	31 x 8	B125	5.4
DR601GRATE200	galvanised steel	1485	245	20	30	1000	31 x 8	B125	8.6