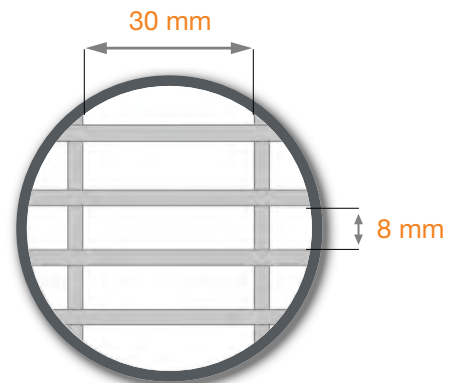
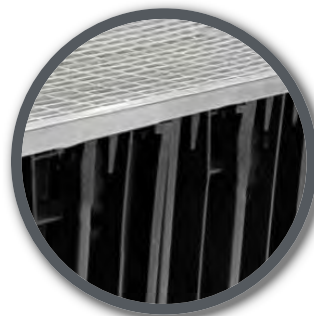


GRANDE SERIES

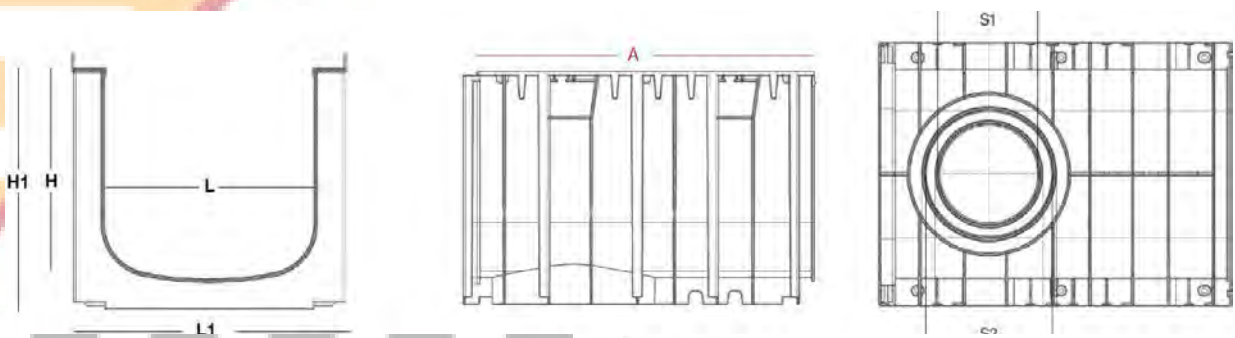
## 601 GALVANISED GRATED CHANNEL



**The details that make the difference...**

# Class B Galvanised Grate & Polypropylene Channel

Polypropylene channel with Class B rated heel guard galvanised grates. Each galvanised grate is supplied with an 8 point security fixing to keep it rattle free from vehicular movements and secure from unauthorised access, as well as steel side edges to give greater resistance to heavy loads. Designed and recommended for shopping centre car parks and areas open to slow moving vehicles.



SABDRAIN GRANDE 601								
CODE	L	H	L1	H1	S2	S1	A	KG
DR601300200	300	200	390	260	200	160	500 (sold in 1M lengths)	34.15
DR601300300	300	300	390	360	63	100	500 (sold in 1M lengths)	35.6



SABDRAIN 601 - GRATE									
CODE	MATERIAL	DRAIN CM <sup>2</sup>	A	H	H1	L	F	LOAD CLASS	KG
DR601GRATE300	galvanised steel	2304	376	20	30	1000	30 X 8	C150	13