

901 200mm x 200mm - Load Class A10

FOR CONCRETE

Specification Clause

The surface drainage system shall be Sabdrain 901 200 200 polypropylene plastic channel, fitted with 304 stainless steel heel guard grating Load Class - A10

Properties

Sabdrain 901 200200 polypropylene plastic channels shall meet the following properties:-

| | |
|-------------------------------|---------------------------------|
| COMPRESSIVE STRENGTH | 58N/mm² |
| TENSILE STRENGTH | 14N/mm² |
| DENSITY | 0.960 g/cm³ |
| WATER ABSORPTION | <0.05% |
| THERMAL EXPANSION COEFFICIENT | 15x10⁻⁵ mm/°C |
| FROST PROOF | YES |
| MELTING POINT | 162 - 168 °C |
| COEFFICIENT OF ROUGHNESS | N=0.010 |
| CHEMICAL RESISTENCE | YES |
| NON FLAMMABLE | YES |

for detailed chemical resistance, refer to <https://sabdrain.com.au/chemical-resistance/>

Dimensions

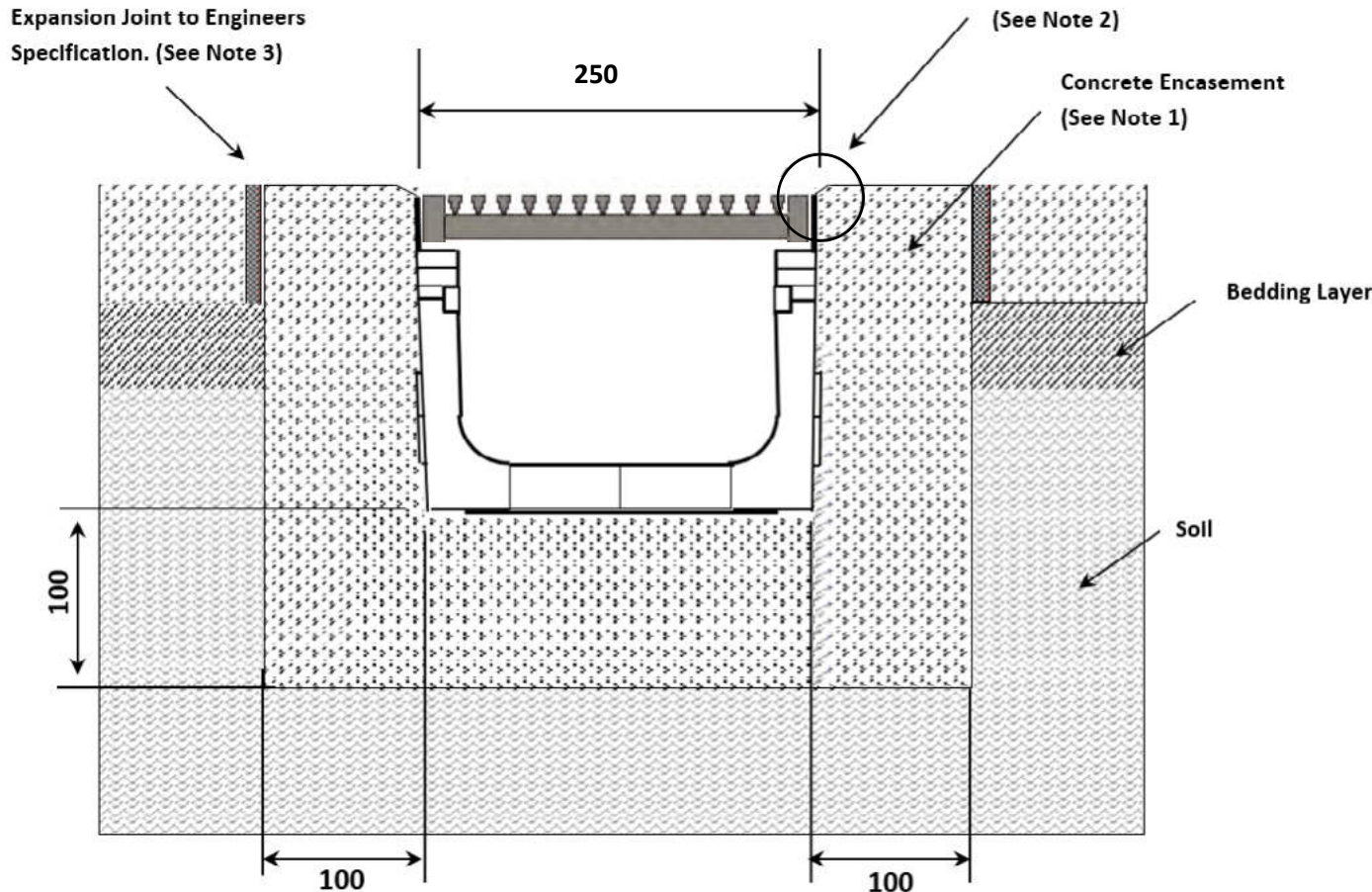
Sabdrain 901 200200 channels dimensions shall be an internal height of 200mm with an internal width of 200mm and an overall height of 250mm and width of 250mm, with Male/Female interlocking joints, the channels shall have provision to create a 2° (17M) Radius.

Grates

Refer to the relevant specification sheet for the selected grate.

Installation

The Sabdrain 901 200200 Drainage system shall be installed for its intended purpose. Any improper installation and usage could result in product failure.



Notes

1. Concrete encasement dimensions and/or reinforcement changes may be required for specific site conditions. Minimum concrete strength of 25MPa is recommended. Ensure concrete is vibrated Alwaysseek engineering advice.
2. The finished level of the concrete encasement should be 3-5mm above the channel edge.
3. Expansion control joints are recommended for protection of the concrete encasement.

