



# STREET BENCHES



## The Banco Series

### PERFORMANCE

- General Public
- Weatherproof

### APPLICATION

- Public Nature Parks
- Commercial Open Spaces
- Outdoor Amenities

### COMPATIBLE SIZES

Refer to Jonite General Catalogue

### MATERIAL

- Jonite Stone (reinforced)

### OPTIONAL

- Special Design to Architect's Specification
- Special LED lightings embedment
- Custom Sizes, Colors, Textures & Patterns
- Custom Metal or Timber Panels integration
- Custom Anchorage System subject to ground condition and substrates used

### STANDARD COLORS

Please refer to Color Samples



Jonite brings you the first collection of Banco Series Street Benches for nature parks and open spaces. An exciting new concept by attempting to eliminate the perception of conventional bulky and heavy stone furniture.



### Philosophy

The Banco Series is created using contemporary, ergonomic and versatile designs of structure elements such as pedestals and panels using various Jonite creative panels. Customizable with unlimited colors, patterns & textures. Alternatively, it allows integration with other materials tastefully with simplicity, reducing installation time as well as customization cost.

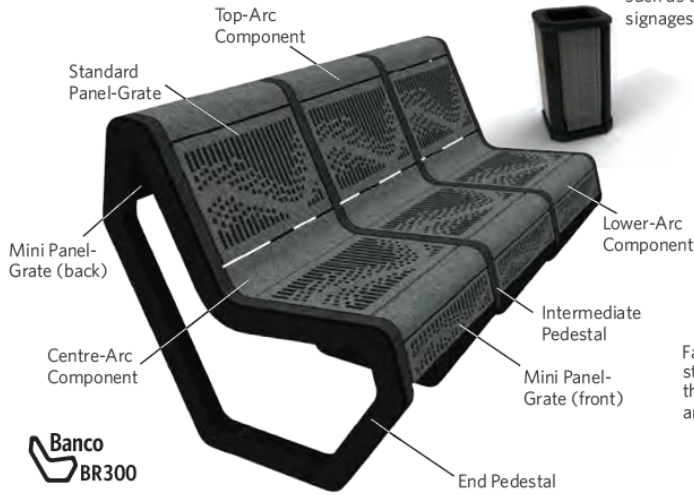
### Custom Design on Panel Grates

The Banco Benches can easily create special designs representing a corporate insignia or municipal logo on the panel-grate, giving an exclusive identity to the parks or commercial open spaces.

## STREET BENCHES

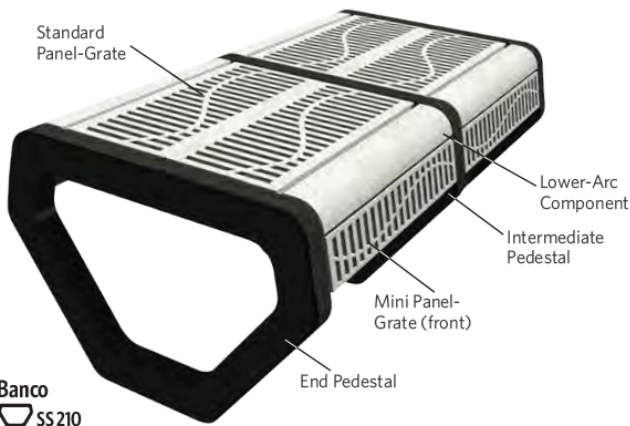
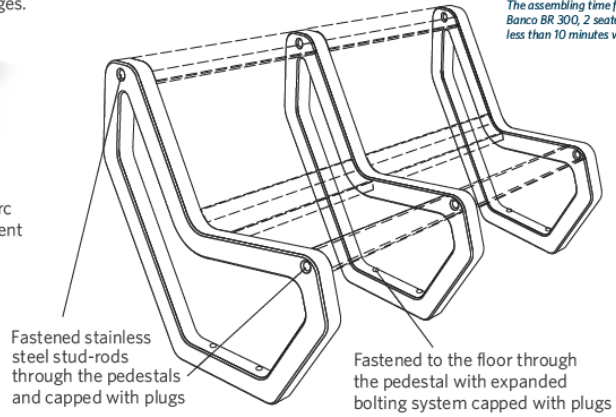
Stylishly modular

Custom accessories derived from the same design theme such as trashbins, bollards and signages.

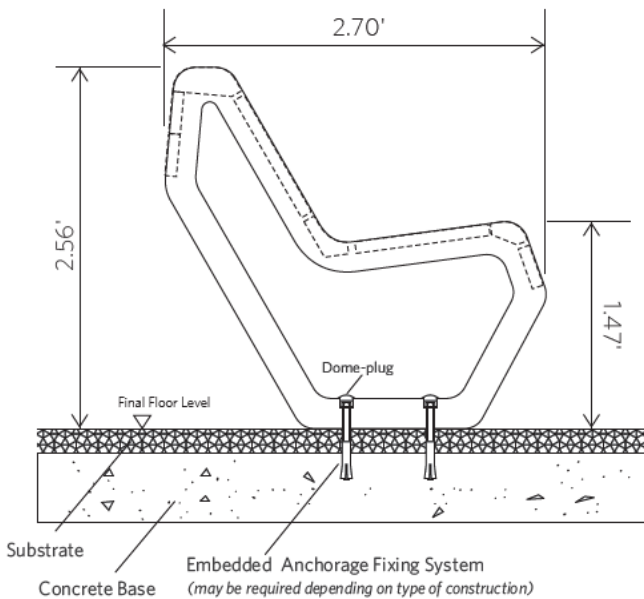
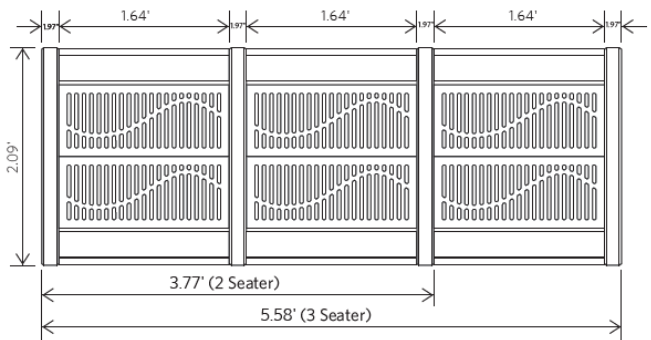


**Banco**  
BR300

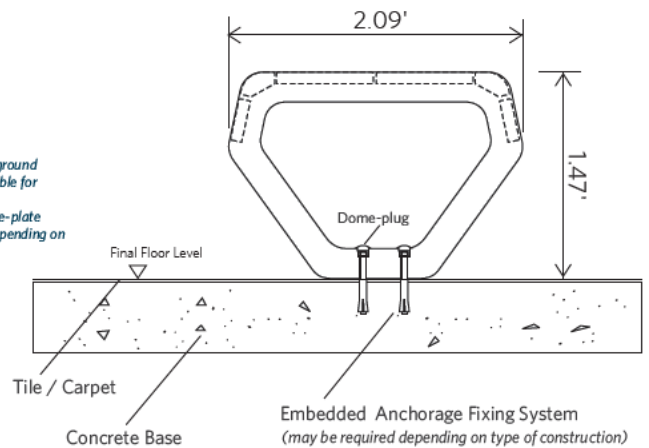
The assembling time for the Banco BR 300, 2 seater takes less than 10 minutes with 2 men



**Banco**  
SS210



Free standing w/o ground anchorage is available for all designs. Special surface base-plate may be required depending on application.



see all designs in Jonite General Catalogue