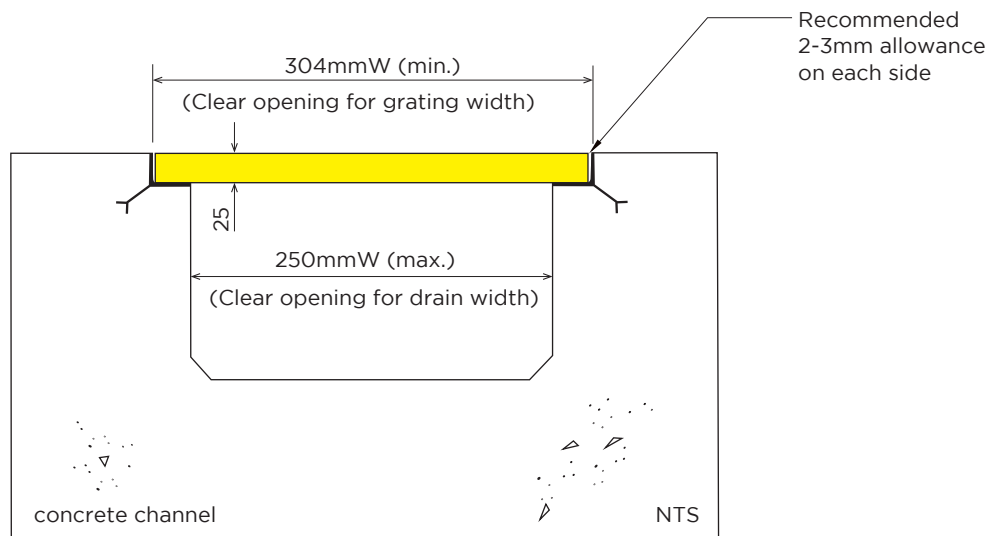


Weight	7 kg
Overall Size	300W x 500L x 25mm(t)
Application	<b>Strictly For Pedestrian Only</b>
Free Drain Area	31680 mm <sup>2</sup> (22%)
Load Class	A15 (up to 15KN) (Compliant with EN124.1994)



© Jonite®. All rights reserved.

