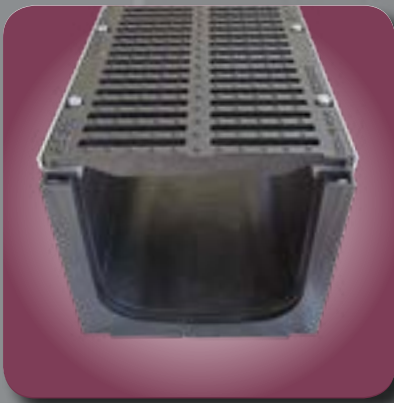
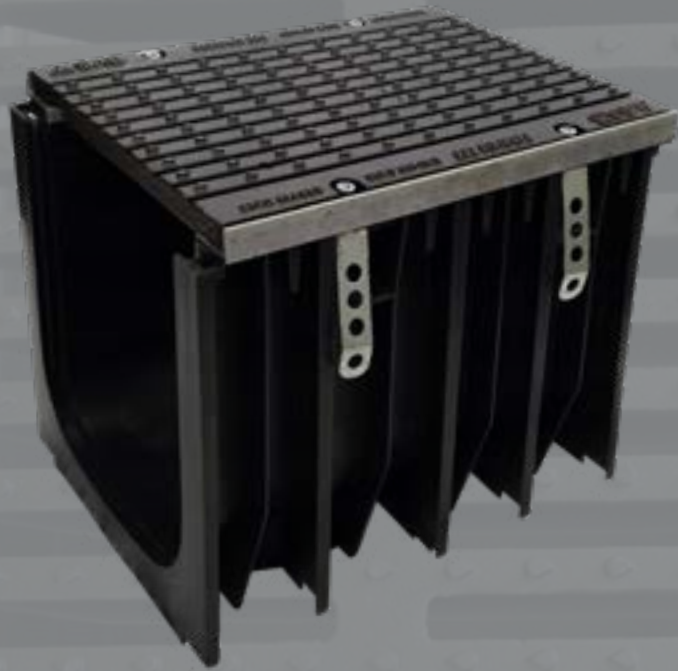




SAB drain 707 300

water drainage systems



The details that make the difference.....

FLAT EDGE DRAINAGE CHANNEL

SABdrain 707 300 is the largest of the channel and grate unit available for the ever increasing needs of the drainage market. While still being able to meet what is necessary to comply with the design requirements of Class C - G Ratings, this channel is able to deliver the performance required of it. Each grate is equipped with a '4 point' security fixing system to secure it from unauthorised access, and keep it rattle free from vehicular movements, as well as steel side edging to give higher resistance to heavy loads.

C150

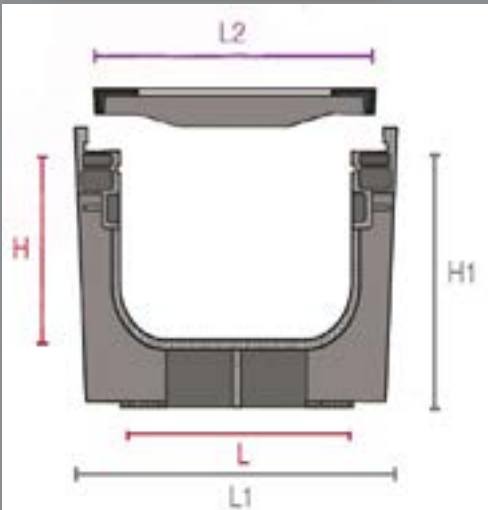
- Slow Moving Vehicles
- Heavy Commercial Vehicles

D210

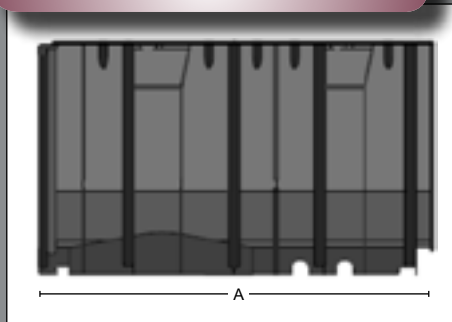
- Highways
- Fast Moving Heavy Vehicles

SABDRAIN 704 300 HD									
SIZE	L	H	L1	H1	L2	A	CM ²	S1	S2
300 x 200	300	200	390	260	376	500	322	200	160
300 x 300	300	300	390	360	376	500	322	200	160

END PROFILE



BOTTOM PROFILE



SIDE PROFILE

