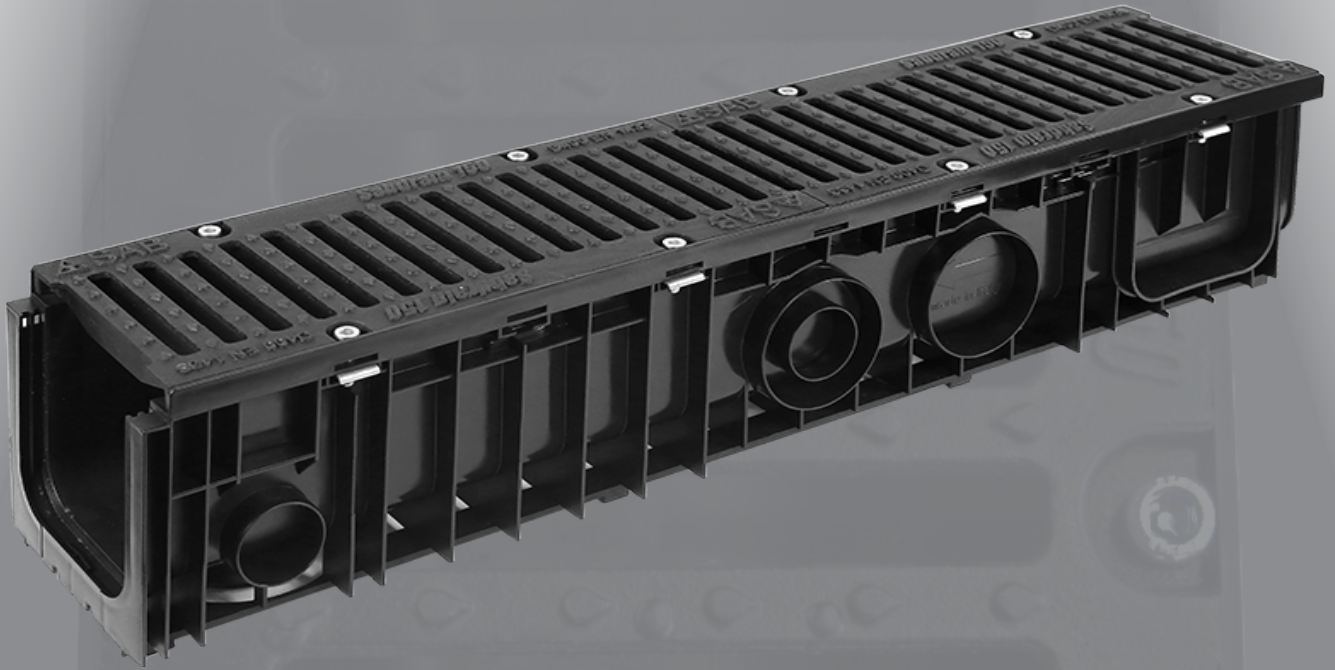


SABdrain
water drainage systems

704



The details that make the difference.....

FLAT EDGE DRAINAGE CHANNEL

SABdrain 704 provides the ultimate desirability for design and functionality of any drainage channel available to the civil construction market. From its lightweight channel unit to the high strength cast iron grate, the flexibility and durability of this product is able to satisfy the most demanding requirements placed upon it. This rated channel and grate has been designed for situations that require accessibility for heavy commercial vehicles as well as being able to cater for the needs of highway use. Each grate is equipped with an '8 point' security

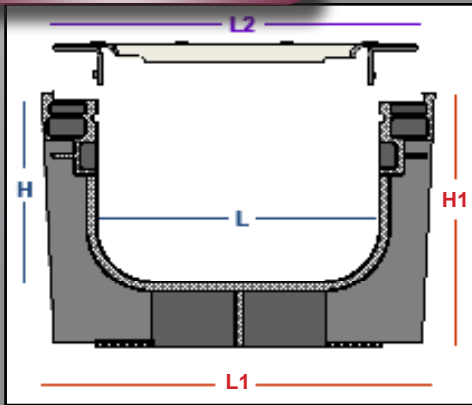
C150

- Slow Moving Vehicles
- Heavy Commercial Vehicles

D210

- Highways
- Fast Moving Heavy Vehicles

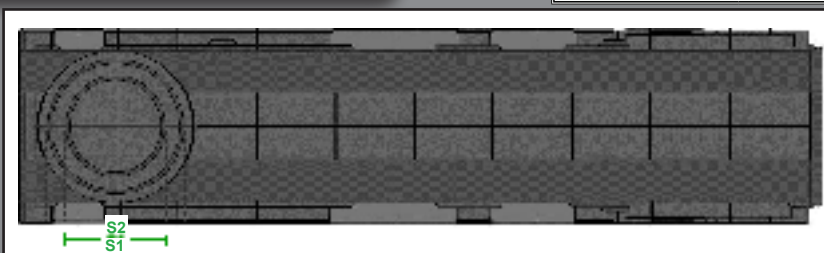
END PROFILE



SABDRAIN 704

SIZE	L	H	L1	H1	L2	A	cm2
100 x 100	100	100	150	150	145	1000	220
100 x 150	100	150	150	200	145	1000	220
150 x 150	150	150	200	200	195	1000	348
200 x 150	200	150	250	200	245	1000	476
200 x 200	200	200	250	250	245	1000	476
200 x 250	200	250	250	300	245	1000	476
200 x 300	200	300	250	350	245	1000	476
SABDRAIN	D1	D2	D3	D4	D5	S1	S2
100 x 100	63	90	63	63	100	110	63
100 x 150	63	110	63	110	100	110	63
150 x 150	63	110	63	110	150	110	63
200 x 150	63	110	63	90	200	160	110
200 x 200	63	160	110	90	200	160	110
200 x 250	63	160	110	90	200	160	110
200 x 300	63	160	110	90	200	160	110

BOTTOM PROFILE



SIDE PROFILE

